

DALI LED Dimming Driver

0-144...288W 12A 12-24V

- Dimming interface: DALI.
- PWM digital dimming, no alter LED color rendering index.
- Dimming range: 0.1-100%.
- Max. current output: 12A.
- 0-10V output, DALI system compatible with 0-10V.
- Short circuit / Over-temperature / Over load protection.
- Full protective plastic housing.
- DALI bus standard: IEC62386.
- Suitable for indoor environments.



Main Characteristics

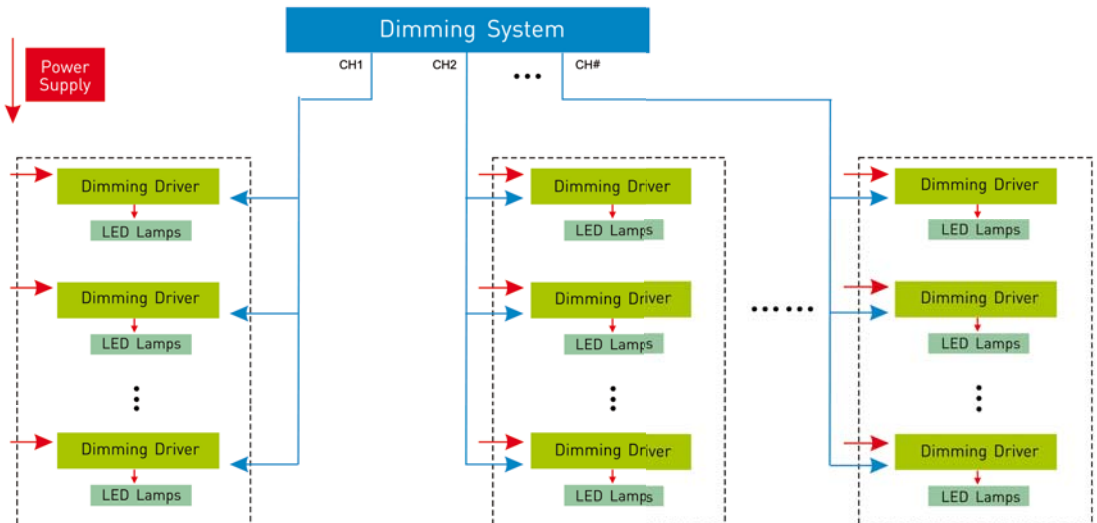
Dimming Interface: DALI (IEC62386)
 Input Voltage: 12-24V DC
 Output Voltage: 12-24V DC
 Output: 12A×1CH+0-10V×1CH
 Max. Output Power: 0-144W...288W

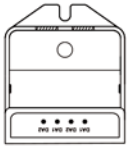
Dimming Range: 0.1-100%
 Working Temperature: -30°C-55°C
 Product Size: L175×W44×H30(mm)
 Package Size: L178×W48×H33(mm)
 Weight(G.W.): 125g

Dimensions

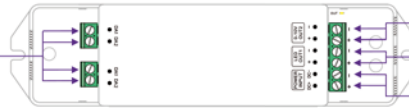


System Connection Diagram:





Two groups of DALI signal socket



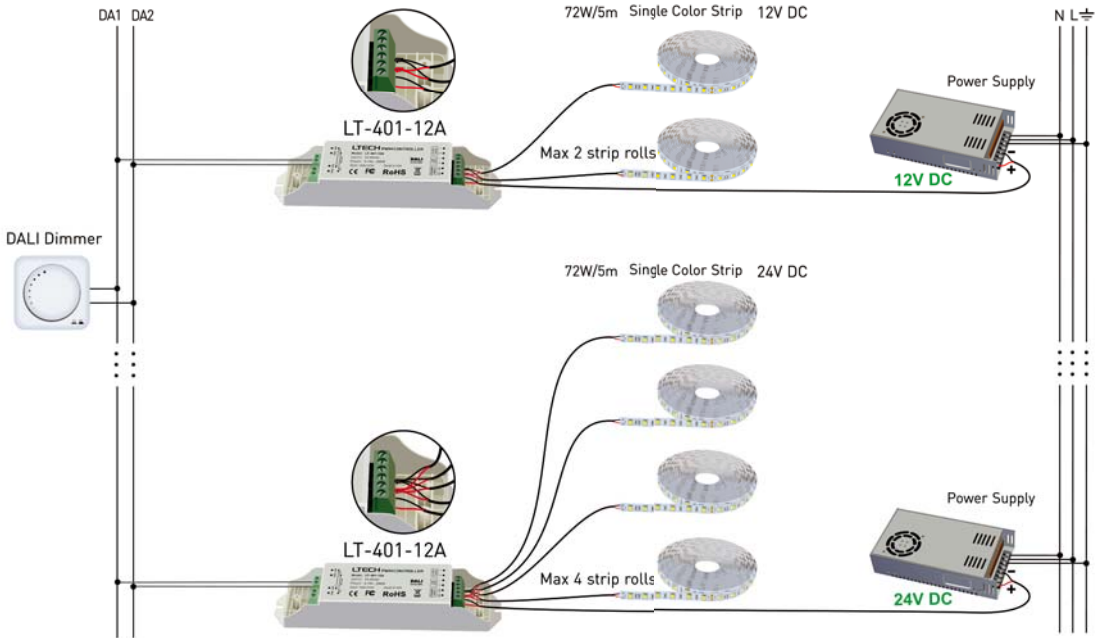
0-10V output signal

LED lamps connection socket

12-24V DC power input socket

DALI bus no need distinguish plus-minus polarity.

12V lamp connected, loads 1~144W[12V]. 24V lamp connected, loads 1~288W[24V].



Providing DALI to 0-10V connect port, which is compatible to control 0-10V products in DALI control system, diagram example as below:

