

# DIN-Rail LED Dimming Driver

0-216...432W    6A × 3CH    12-24V

- Dimming interface: DALI, Push Dim.
- PWM digital dimming, standard DALI logarithmic dimming curve.
- Dimming range: 0-100%, LED start at 0.1% possible.
- Max. current output: 18A.
- Full protective plastic housing.
- DALI bus standard: IEC62386.
- Suitable for indoor environments.

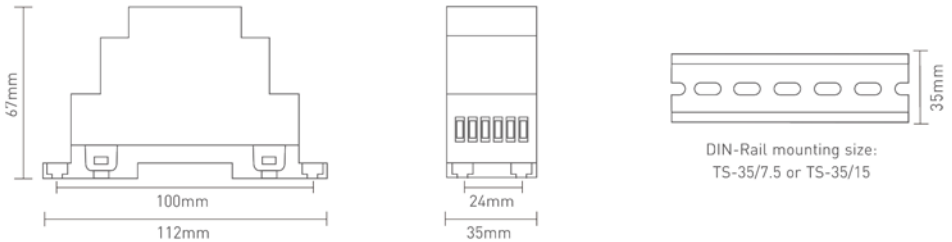


## Main Characteristics

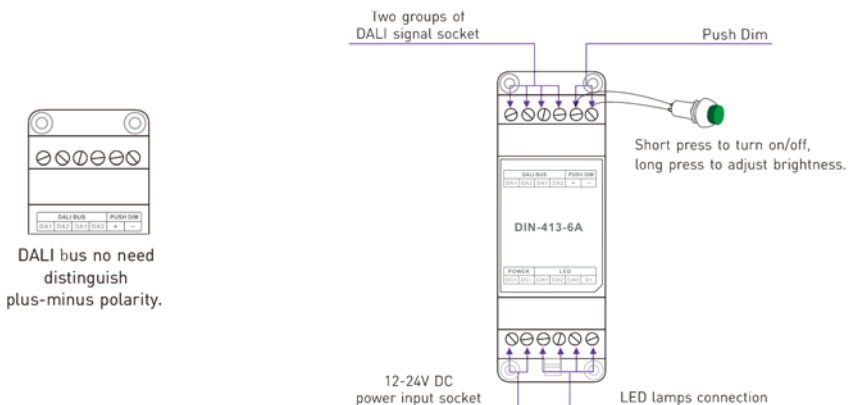
Dimming Interface:	DALI (IEC62386), Push Dim
Input Voltage:	12-24V DC
Output Voltage:	12-24V DC
Output Current	6A×3CH Max. 18A
Max. Output Power:	0-216W...432W
Dimming Range:	0-100%, LED start at 0.1% possible

Mounting:	DIN-Rail or Screw
Working Temperature:	-30°C-55°C
Product Size:	L112×W35×H67(mm)
Package Size:	L114×W37×H70(mm)
Weight(G.W.):	135g

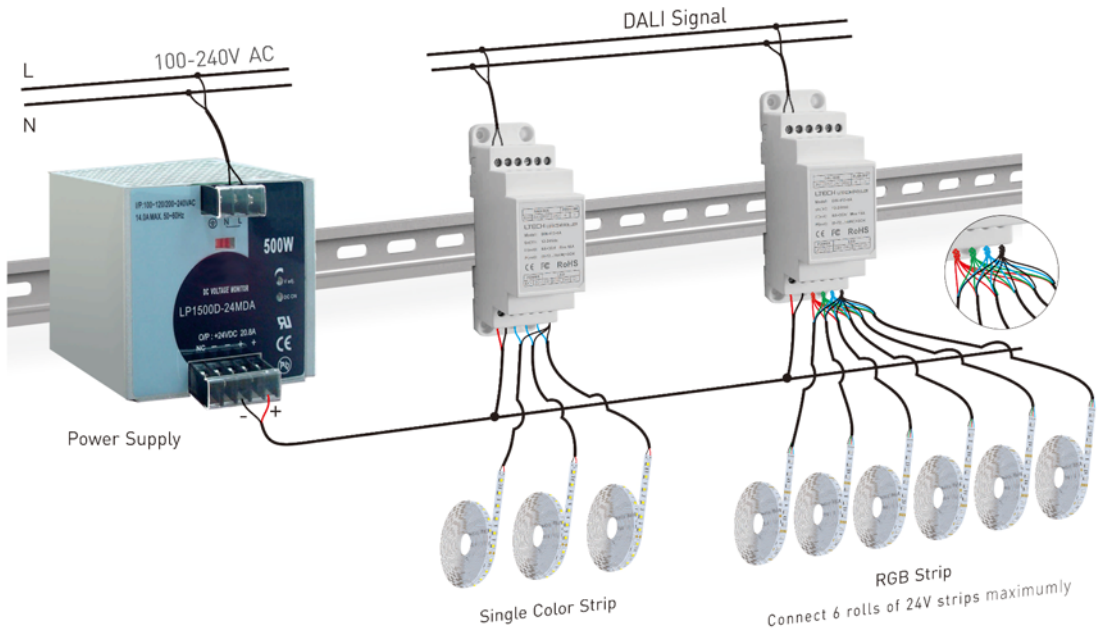
## Dimensions



## Conjunction Diagram



12V lamp connected, loads 0~180W(12V). 24V lamp connected, loads 0~360W(24V).



## System Connection Diagram:

